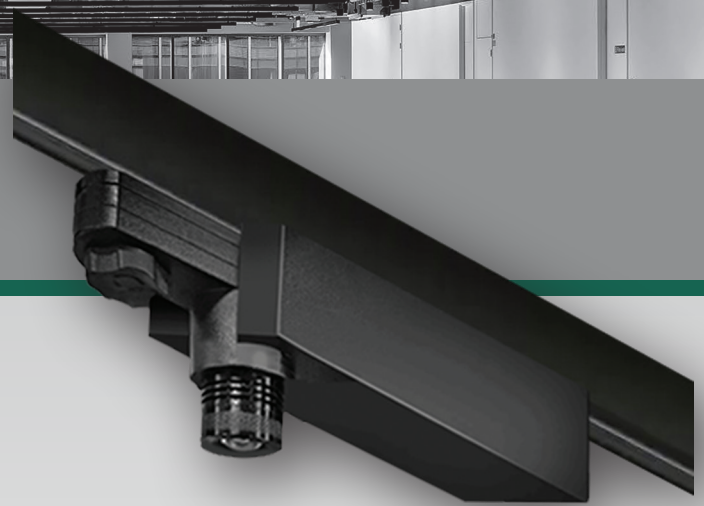


LIFELIGHT TRACK MOUNT




Architectural Track Mounted Emergency Light



The Lifelight Track Mount emergency luminaire is designed for effortless integration into Stucchi tracks, blending seamlessly into any environment where aesthetics is important. Engineered to deliver exceptional performance, and powered by a long lasting Clevertronics L10 battery, it boasts a D40 emergency classification, ensuring reliability and compliance in critical situations.

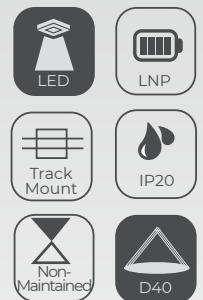
Applications

- | | | | |
|--|------------------|---|----------------|
|  | Office Buildings |  | Showrooms |
|  | Galleries |  | Retail Outlets |
|  | Apartments |  | Theatres |

L10 LITHIUM NANOPHOSPHATE®
OPTIMUM
NOTHING ELSE COMPETES WITH NANOPHOSPHATE®

Features and Benefits

- AS/NZS 2293.3 compliant
- Sleek architectural design
- Fits Stucchi 3 & 6 circuit tracks
- D40 emergency classification
- Lithium Nanophosphate® battery
- DALI and Zoneworks test options



LIFELIGHT TRACK MOUNT

ORDERING INFORMATION		EMERGENCY (L10)	
Colour		White	Black
TEST OPTIONS / PART #	Standard	LLIFE-TRACK-WHT	LLIFE-TRACK-BLK
	Clevertest Plus System Compatible	Yes	
	DALI*	LLIFE-TRACK-D2-WHT	LLIFE-TRACK-D2-BLK
	Zoneworks® XT Hive*	LLIFE-TRACK-HVG-WHT	LLIFE-TRACK-HVG-BLK
Carton Quantity	1 Piece		
Weight - Single (Carton)	0.7kg		
Dimensions (L x H x D)	230mm x 100mm x 70mm		

POWER, LAMPS AND BATTERY		EMERGENCY (L10)	
Power Consumption (Standby / Max)	0.5W / 2.5W		
Lamp(s)	1 x LED		
Battery	Lithium Nanophosphate®		
Voltage (V) / Capacity (mAh)	3.3V / 2500mAh		
Charging Method	Intelligent Current Limited Constant Voltage		

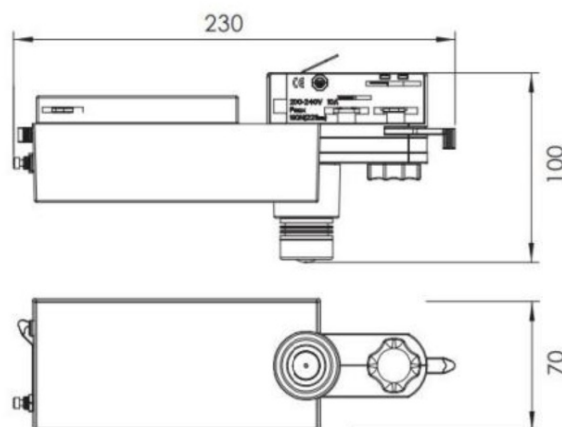
TECNICAL SPECIFICATIONS		EMERGENCY (L10)	
Construction - Body	Polycarbonate enclosure with Stucchi track adapter		
Operating Mode	Non-maintained		
Voltage (V) Frequency (Hz)	220-240V (50Hz)		
Operating Temperature	1°C to 40°C		
Ingress Protection Rating (IP)	IP20		

CLASSIFICATION	EMERGENCY (L10)
C0	D40
C90	D40

SPACING TABLE & MOUNTING HEIGHTS - AS / NZS 2293.1:2008 (MINIMUM LIGHT LEVEL OF 0.2 LUX)														
Classification	2.1m	2.4m	2.7m	3.0m	3.3m	3.6m	4.0m	4.5m	5.0m	6.0m	7.0m	8.0m	9.0m	10.0m
D40	11.5	13.2	14.8	16.5	18.1	19.5	20.1	20.7	21.2	22.1	22.6	23.0	23.1	23.0

For 1 lux and AS/NZS 2293.1:2005 spacing tables please visit: <https://clevertronics.com.au/spacing-tables/>

*Warranty information located at: <https://clevertronics.com.au/warranty-statement/>



Dimensions (mm)

clevertronics.co.nz
clevertronics.com.au

1 Caribbean Drive, Scoresby VIC 3179
P +61 3 9559 2700 F +61 3 9559 2799 E info@clevertronics.com.au

Clevertronics is committed to continuously improving its products.
All features and specifications are subject to change without prior notice.
_PRODUCT SHEETS – ANZ Lifelight Track Mount Emergency March 2024

